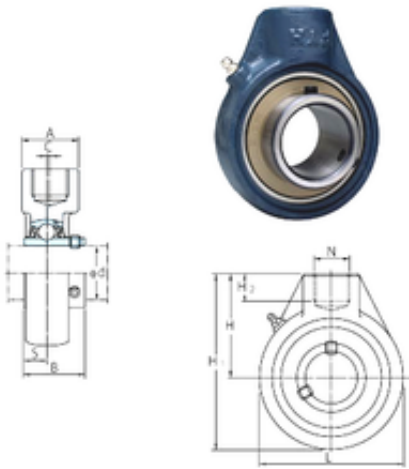




# SKF BEARING LTD

## FYH UCHA204-12 bearing units



Bearing No. UCHA204-12

Bore Diameter	19,05 mm
Width	31 mm
d	19,05 mm
A	40 mm
B	31 mm
C	– mm
H	64 mm
H1	96 mm
H2	19 mm
L	64 mm
S	12,7 mm
Bolt (G)	PF 3/4
Weight	0,72 Kg
Basic dynamic load rating (C)	12,8 kN
Basic static load rating (C0)	6,65 kN

UCHA204-12 Bearing 2D drawings and 3D CAD models