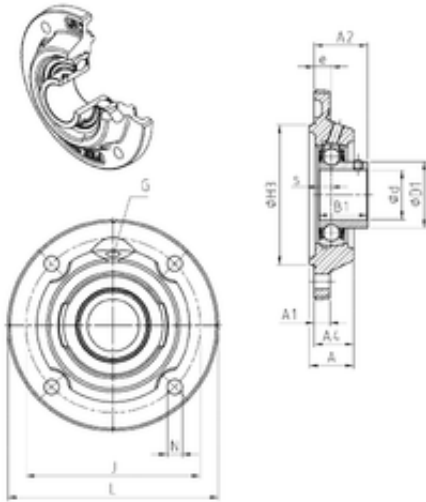




SKF BEARING LTD



SNR USFEE207 bearing units

Bearing No. USFEE207

Bore Diameter	35 mm
d	35 mm
H3	90 mm
A4	24 mm
e	9 mm
s	8,5 mm
A	28 mm
A1	10 mm
B1	32 mm
D1	48 mm
J	110 mm
L	135 mm
N	11,5 mm
Thread (G)	R1/8"
A2	32,5 mm
Weight	1,4 Kg
Basic dynamic load rating (C)	25,7 kN

USFEE207 Bearing 2D drawings and 3D CAD models