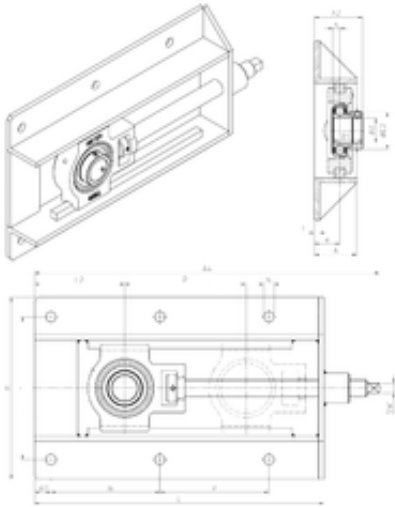




SKF BEARING LTD

SNR EST201+WB bearing units

Bearing No. EST201+WB



EST201+WB Bearing 2D drawings and 3D CAD models

Bore Diameter	12 mm
d	12 mm
A4	367 mm
P	150 mm
e	29 mm
L2	83 mm
s	6,5 mm
SW	11 mm
A	50 mm
B1	28,6 mm
D2	28,6 mm
H	199 mm
J	154 mm
L	317 mm
M	117 mm
M1	19 mm
N	12 mm
T	6 mm
A2	51,1 mm
Weight	5,1 Kg
Basic dynamic load rating (C)	9,55 kN