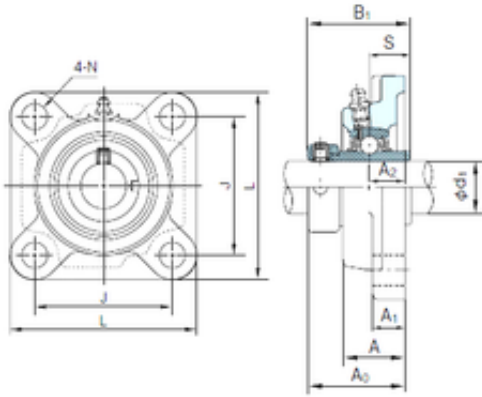




**NACHI UGF205 bearing units**



Bearing No. UGF205

Bore Diameter	25 mm
d1	25 mm
A0	42.9 mm
A	27 mm
A1	14 mm
B1	44.4 mm
J	70 mm
L	95 mm
N	12 mm
S	17.5 mm
Bolt (G)	M10
A2	16 mm

UGF205 Bearing 2D drawings and 3D CAD models