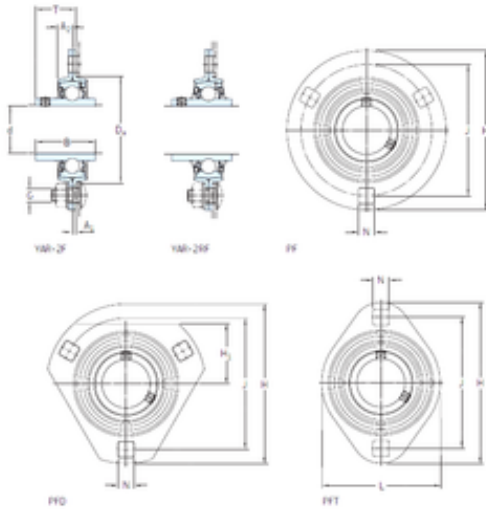




SKF BEARING LTD



PFD 20 RM Bearing 2D drawings and 3D CAD models

SKF PFD 20 RM bearing units

Bearing No. PFD 20 RM

Bore Diameter	20 mm
Width	25,5 mm
d	20 mm
Da	55 mm
A1	2 mm
B	25,5 mm
G	8 mm
H	91 mm
H1	32 mm
J	71,5 mm
L	–
N	8,7 mm
T	20,3 mm
A2	8 mm
Weight	0,23 Kg
Basic dynamic load rating (C)	12,7 kN
Basic static load rating (C0)	6,55 kN
Housing material	Pressed steel
A ₁	2 mm
A ₂	8 mm
B ₄	4.5 mm
D _a min.	51 mm
H ₁	32 mm
s ₁	18.3 mm
Basic dynamic load rating C	12.7 kN
Basic static load rating C ₀	6.55 kN



SKF BEARING LTD

Fatigue load limit P_u	0.28 kN
Permissible radial housing load max.	3.3 kN
Mass unit	0.22 kg
Thread grub screw G_2	M6x0.75
Hexagonal key size for grub screw N	3 mm
Recommended tightening torque for grub screw	4 N · m
Recommended diameter for attachment bolts, mm G	8 mm
Recommended diameter for attachment bolts, inch G	0.3125 in