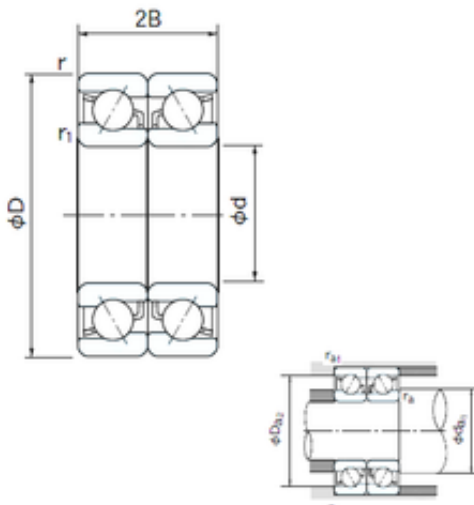




# SKF BEARING LTD



180 mm x 320 mm x 52 mm NACHI 7236CDB  
angular contact ball bearings

Bearing No. 7236CDB

7236CDB Bearing 2D drawings and 3D CAD models

Size	180x320x52 mm
Bore Diameter	180 mm
Outer Diameter	320 mm
Width	52 mm
d	180 mm
D	320 mm
B	52 mm
C	52 mm
Angle ( ° )	15 °
a	3.3 mm
r min.	4 mm
r1 min.	1.5 mm
2B	104 mm
da min.	189 mm
Da max.	311 mm
ra max.	1.5 mm
Weight	19.9 Kg
Basic dynamic load rating (C)	500 kN
Basic static load rating (C0)	775 kN
(Grease) Lubrication Speed	2600 r/min
Bore Type	Cylindrical Bore
Enclosure	Open
Configuration	Duplex
Bore Size	180 mm
Outside Diameter	320 mm



## SKF BEARING LTD

Width	52 mm
Fillet Radius/Chamfer	4 mm
r1	1.5 mm
Dynamic Load Rating	500,000 N
Static Load Rating	775,000 N
Limiting Speed - Grease	2,600 rpm
Limiting Speed - Oil	3,500 rpm
da1 (min)	198 mm
da2 (min)	189 mm
Da1 (max)	302 mm
Da2 (max)	311 mm
ra (max)	3 mm
ra1 (max)	1.5 mm